

USER MANUAL

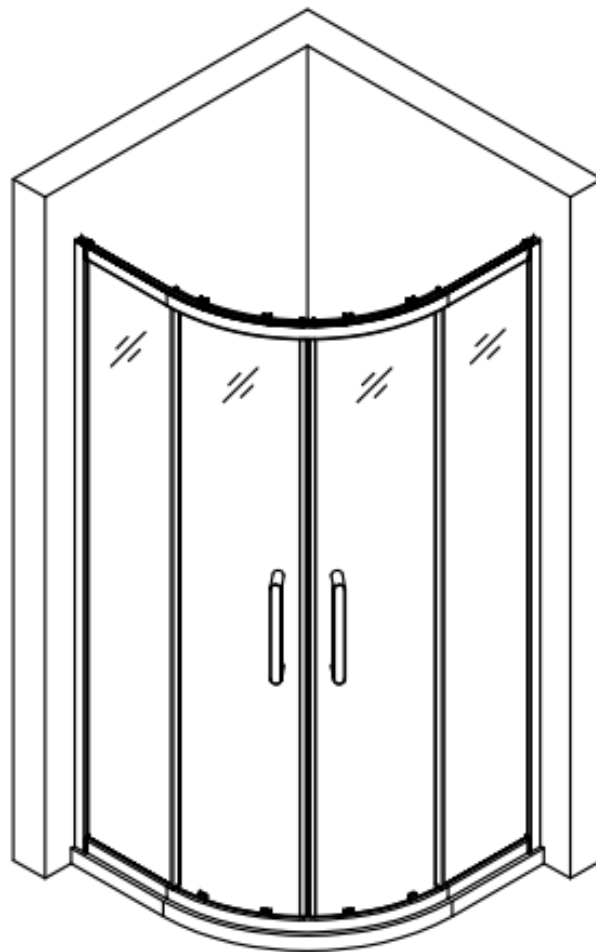


Thank you for choosing Better Bathrooms.
Please read this manual before installing your product
and keep for future reference.

**better
bathrooms**

Lyra 4mm Quadrant Enclosure

BeBa_28000/BeBa_28001



- **Multi-person assembly**
- **Tools required**
- **We always recommend using professional tradespeople to install your product**

2021.8.23

And welcome to our growing gang of savvy shoppers

We're on a mission to bring you extraordinary bathroom products, for less. From modern to traditional style ceramics, plus the gorgeous fixtures, fittings and furniture to match. So, you can fall in love with your space every single day.

As one of the UK's largest independent bathroom stores, we've received countless awards; including the National Business Awards UK, the Digital Entrepreneur Awards and being placed on The Sunday Times Fast Track 100.

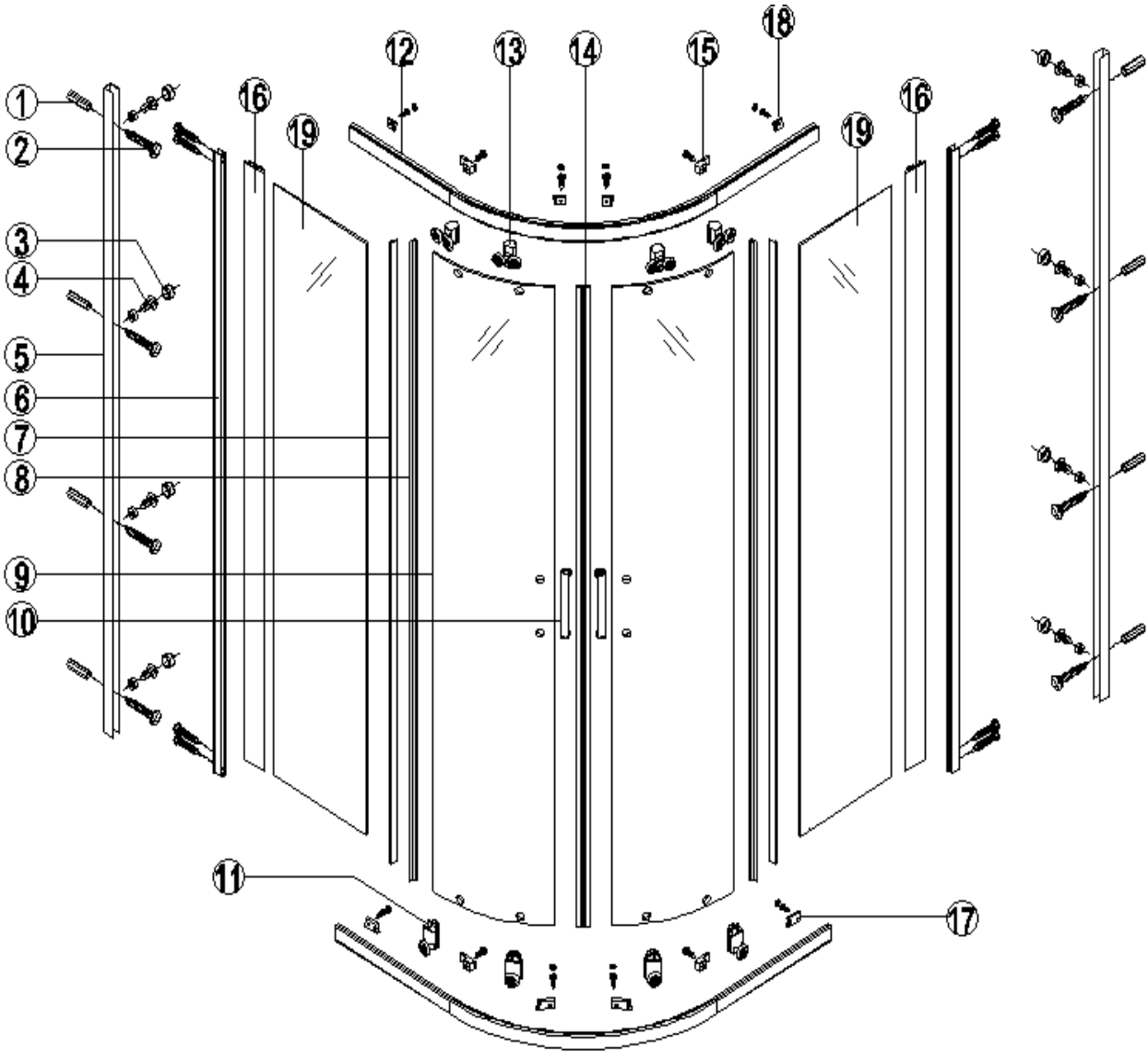
We hope your new product goes above and beyond your expectations. However, should any problems occur, please:

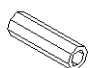



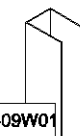
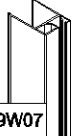
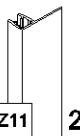
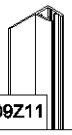
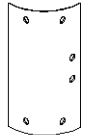
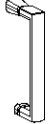
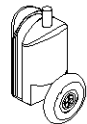
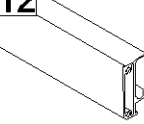
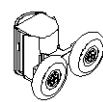
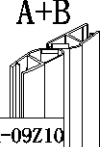
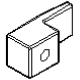
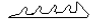


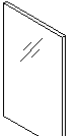
- log in to your account and contact our customer services team via your self-serve portal –betterbathrooms.com/Account/Login
- contact us via betterbathrooms.com/contact-us

Important information

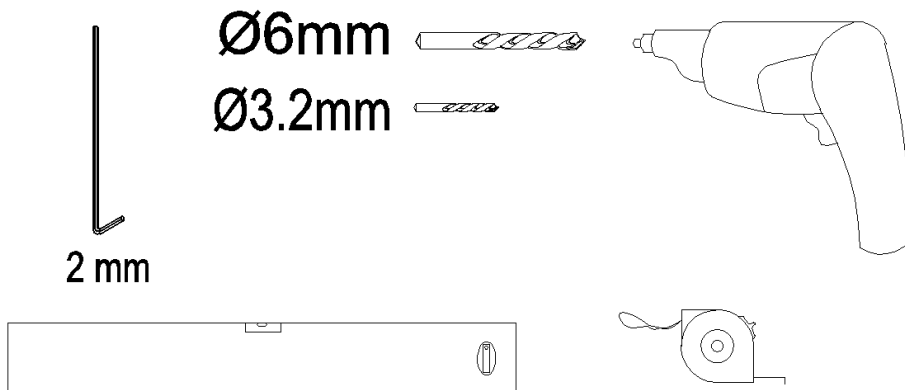
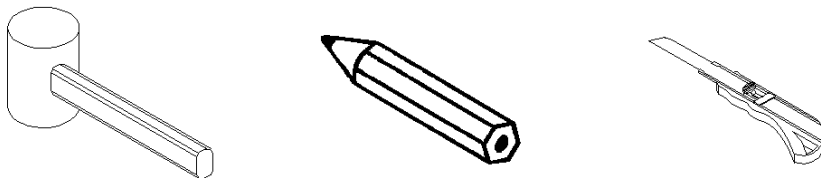
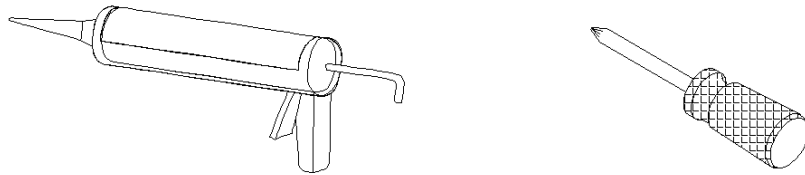
- Please read these instructions thoroughly and retain for future reference
- Manufactured to BS EN14428
- Please check for pipes and cables before drilling
- Please check for damage prior to installation

Parts / Diagrams



1  8Pcs	2  16Pcs	3  RA-09Y07 8Pcs	4  ST4X12 20Pcs	5  RA-09W01 2Pcs	6  RA-09W07 2Pcs	7  1760mm RA-09Z11 2Pcs
8  1824mm RA-09Z11 2Pcs	9  2Pcs	10  RA-09X09 2Pcs	11  RA-09X10 4Pcs	12  2Pcs	13  RA-09X11 4Pcs	14  A+B RA-09Z10 1Pair
15  RA-09Y14 4Pcs	16  RA-09Z16 2Pcs	17  RA-09Y16 4Pcs	18  RA-09Y15 4Pcs	19  2Pcs		

Tools required (Tools not provided)



Installation

1

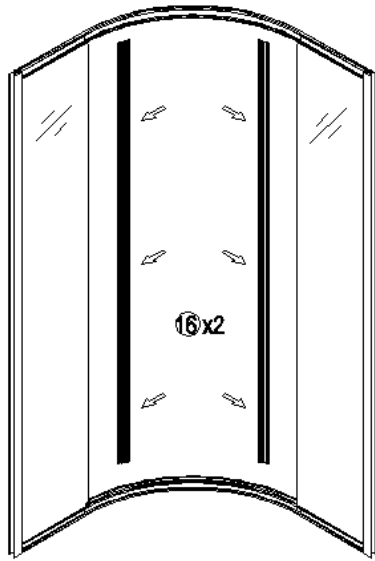
	L	W
800*800	770-790	770-790
900*900	870-890	870-890

2

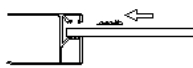
3

4

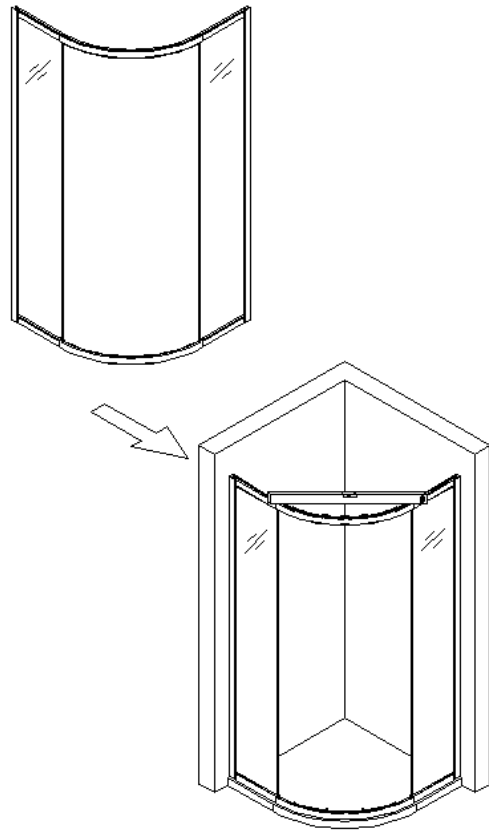
5



5-1



6

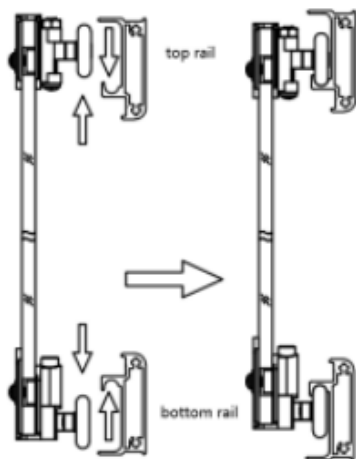


Important:

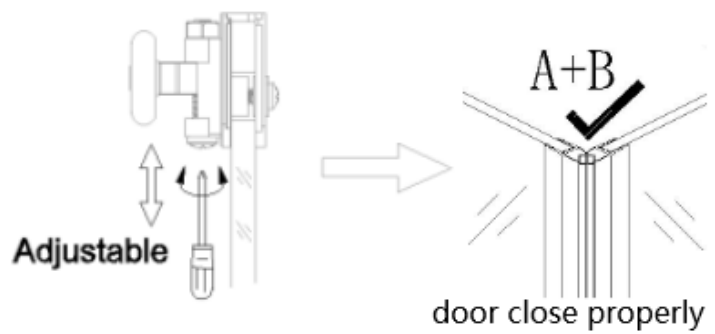
Step A: Locate the rollers into the top and bottom rails

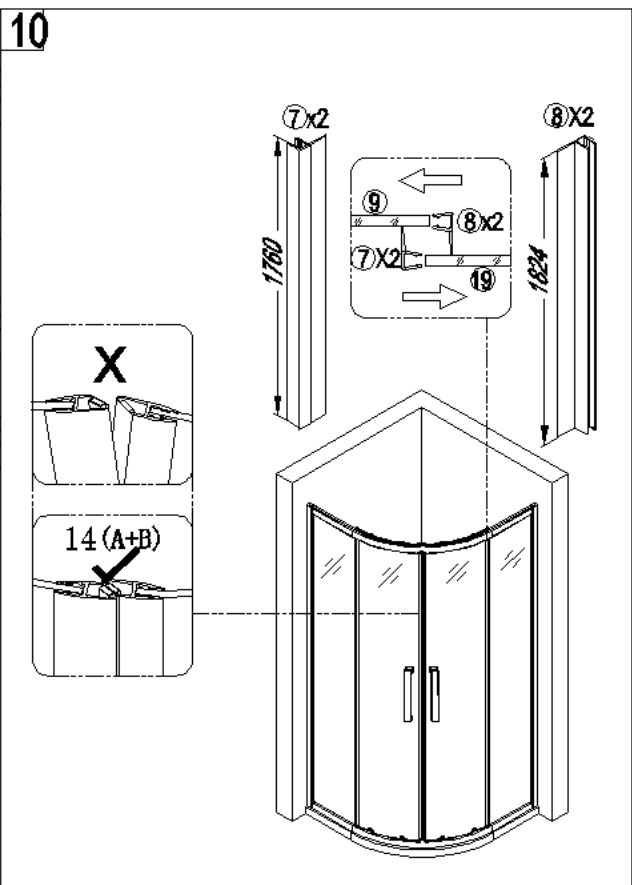
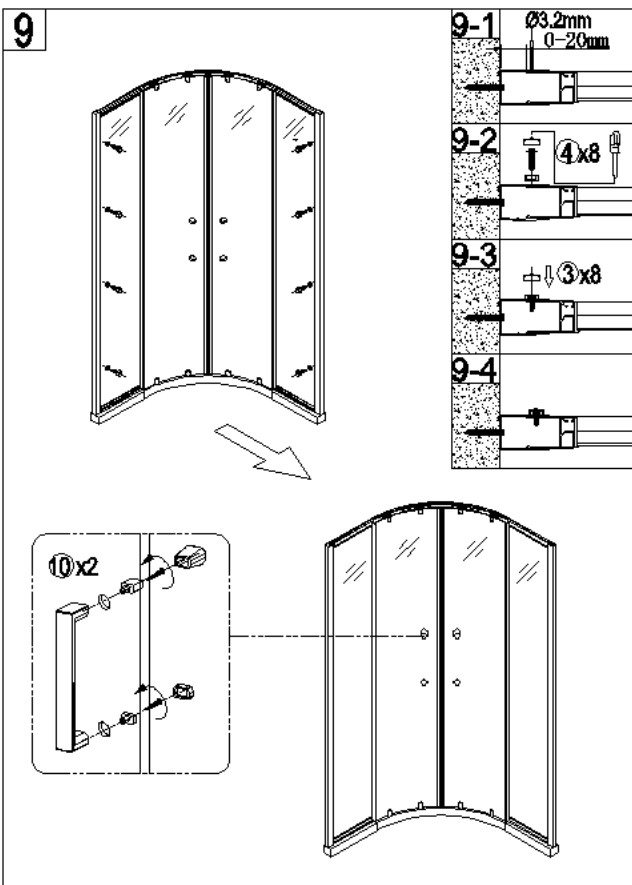
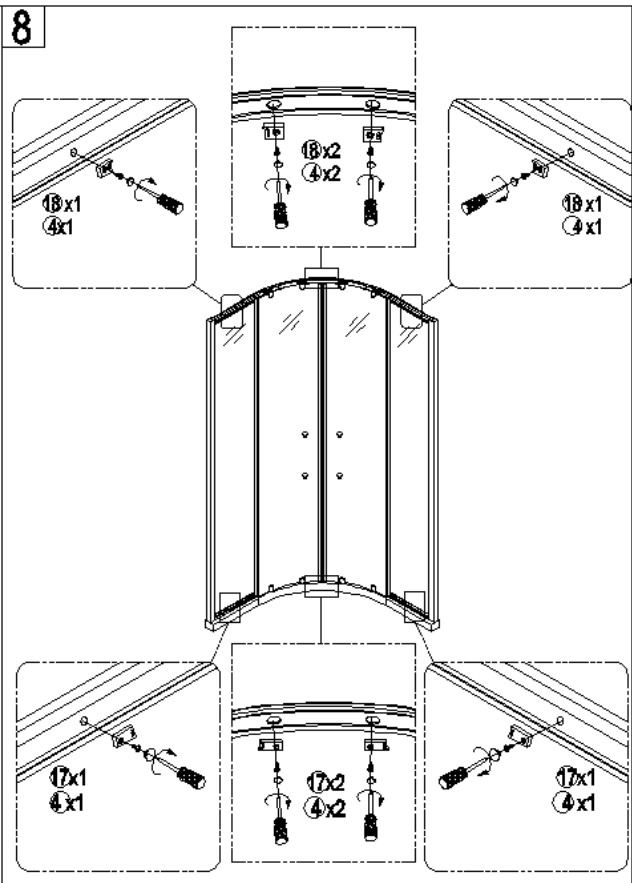
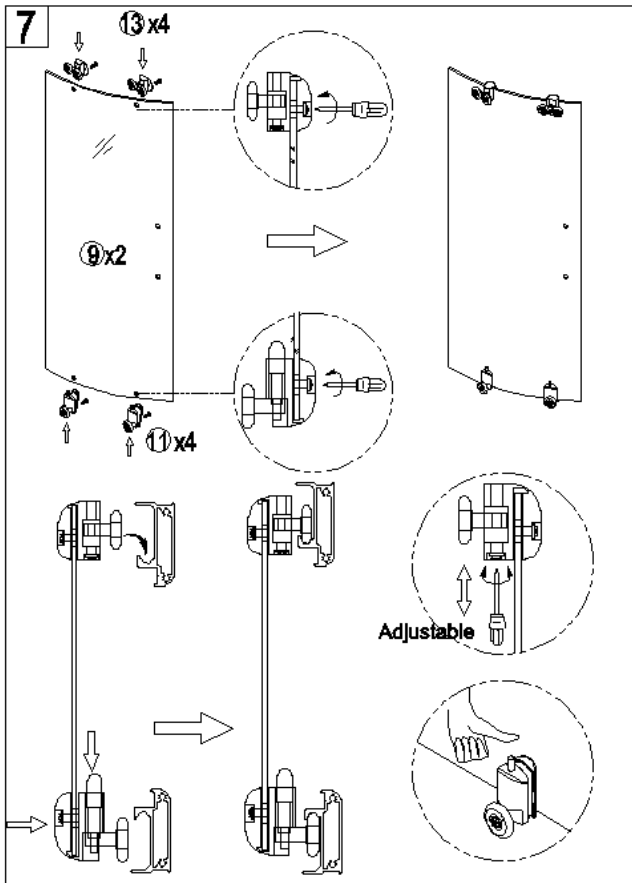
Step B: Please adjust the top roller up and down with the screw shown below using a screwdriver

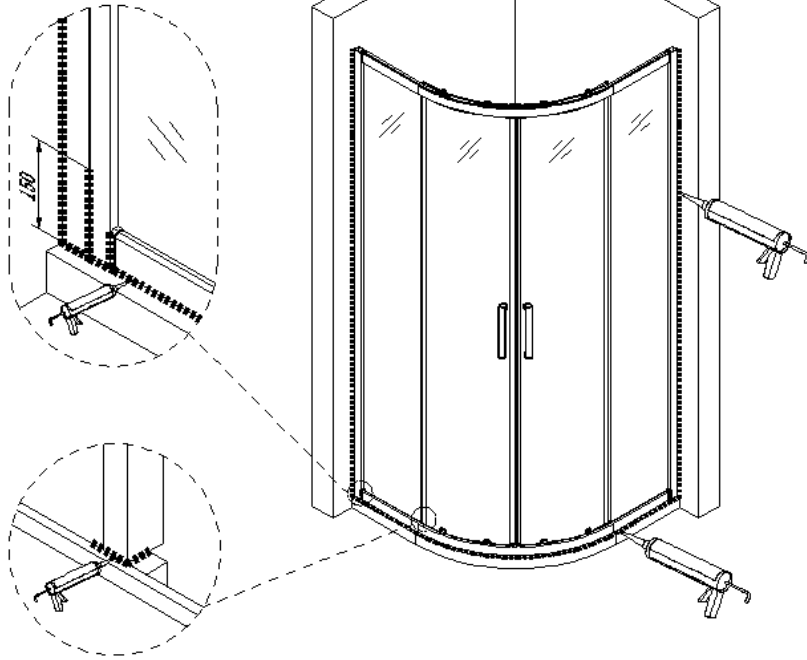
step A:



step B:







Care Instructions:
Do not use your shower enclosure within 24 hours of assembly. Do not use caustic cleaning products or abrasive material when cleaning your shower enclosure.

Cleaning

All parts of the product shall be cleaned with a cloth soaked in neutral detergent soapy water, Please do not use sharp tools such as blades to clean the shower door.

Please do not use strong detergent, alcohol or any abrasive cleaning substances to clean the shower door if the stain is serious, a low concentration of vinegar can be used, but must be rinsed with clean water afterwards.

For more information

- visit betterbathrooms.com
- email customerservices@buyitdirect.co.uk
- call 0330 390 3062
- write to Trident Business Park, Neptune Way, Huddersfield, HD2 1UA

**better
bathrooms** 

Part of the BuyItDirect Group